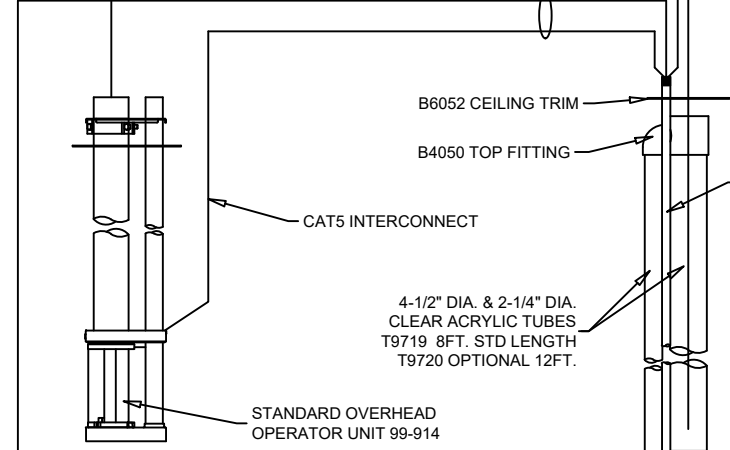


BUILDINGS ELECTRICAL SUPPLY

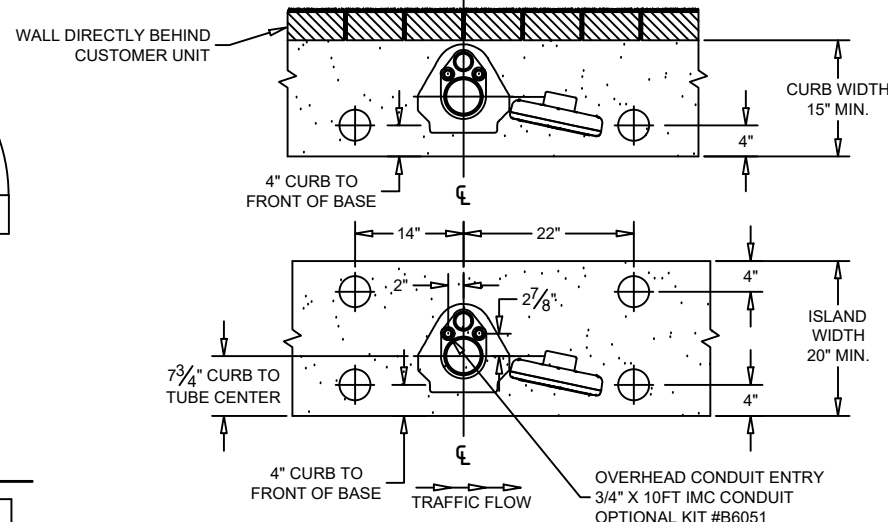
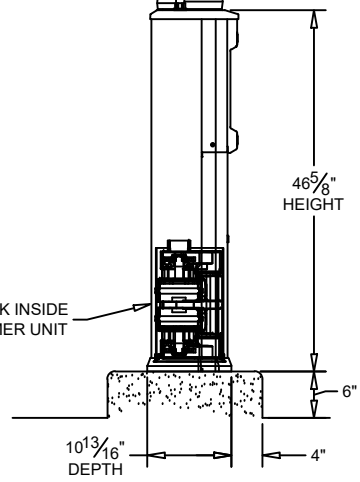
CONDUIT #2 FOR LOW VOLTAGE INTERCONNECT & AUDIO / VIDEO



AUDIO/VIDEO CABLES CONTINUES TO BELOW OPERATOR COUNTER

4x4" J-BOX UNDER COUNTER IN OPERATOR KNEE SPACE AUDIO / VIDEO CABLES TO EXIT HERE

TURBINE PACK INSIDE CUSTOMER UNIT

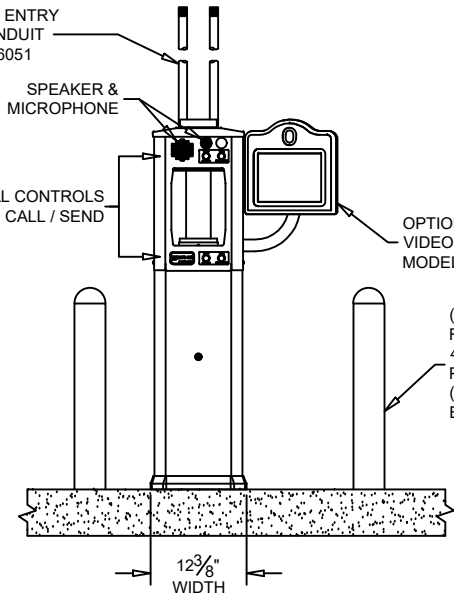


OVERHEAD CONDUIT ENTRY 3/4" X 10FT IMC CONDUIT OPTIONAL KIT #B6051

SPEAKER & MICROPHONE

DUAL CONTROLS CALL / SEND

OPTIONAL TWO-WAY VIDEO UNIT SHOWN MODELS: 5517 OR 6517



<p>est. 1967</p> <p><b>HAMILTON</b></p> <p>CUSTOM MADE SECURITY</p>	<p>PROPRIETARY AND CONFIDENTIAL THESE DRAWINGS ARE THE PROPERTY OF HAMILTON SAFE CO. AND SHALL NOT BE REPRODUCED, COPIED, USED AS THE BASIS FOR MANUFACTURE OR SALE OF APPARATUS WITHOUT PERMISSION</p>	DESCRIPTION	
		<p>PNEUMATIC TUBE SYSTEMS MODEL HA1000-XLR CUSTOMER UNIT DETAILS w/ OVERHEAD CONDUIT OPTION</p>	
DRAWING/MODEL NUMBER		99-1173	DATE
			10/8/2021